

Pipe Clamps

B3148 - Offset Pipe Clamp (TOLCO Fig. 7)

Size Range: 1/2" (15mm) thru 12" (300mm) pipe

Material: Steel

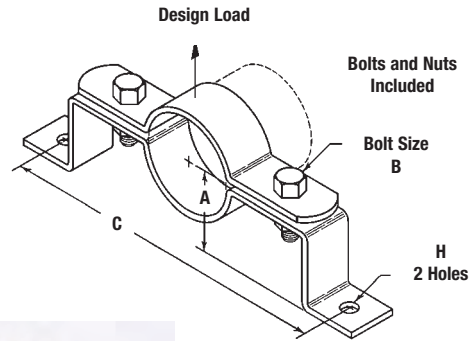
Function: Recommended for support of pipe lines running at a definite distance from the wall or floor of a building or structure.

Maximum Temperature: — 650°F (343°C)

Finish: Plain. Contact B-Line for alterantive finishes and materials.

Note: Special "A" dimensions available on request, consult factory.

Order By: Part number, pipe size and finish



Part No.	Pipe Size		A		Bolt Size B	C		H		Design Load Lbs. (kN)	Approx. Wt./100	
	in.	(mm)	in.	(mm)		in.	(mm)	in.	(mm)		Lbs.	(kg)
B3148-1/2	1/2"	(15)	27/16"	(61.9)	3/8"-16	5 13/16"	(147.6)	7/16"	(11.1)	190 (0.84)	107	(48.5)
B3148-3/4	3/4"	(20)	2 1/2"	(63.5)	3/8"-16	5 5/16"	(150.8)	7/16"	(11.1)	190 (0.84)	109	(49.4)
B3148-1	1"	(25)	2 5/8"	(66.7)	3/8"-16	6 1/4"	(158.7)	7/16"	(11.1)	190 (0.84)	116	(52.6)
B3148-1 1/4	1 1/4"	(32)	2 3/4"	(69.8)	3/8"-16	6 11/16"	(169.9)	7/16"	(11.1)	190 (0.84)	126	(57.1)
B3148-1 1/2	1 1/2"	(40)	3"	(76.2)	3/8"-16	6 5/8"	(176.2)	7/16"	(11.1)	190 (0.84)	134	(60.8)
B3148-2	2"	(50)	3 3/16"	(81.0)	3/8"-16	8 5/16"	(211.1)	7/16"	(11.1)	420 (1.87)	191	(86.6)
B3148-2 1/2	2 1/2"	(65)	3 7/16"	(87.3)	3/8"-16	8 7/8"	(225.4)	7/16"	(11.1)	420 (1.87)	209	(94.8)
B3148-3	3"	(80)	3 3/4"	(95.2)	3/8"-16	9 1/2"	(241.3)	7/16"	(11.1)	420 (1.87)	232	(105.3)
B3148-3 1/2	3 1/2"	(90)	4"	(101.6)	3/8"-16	10 1/16"	(255.6)	7/16"	(11.1)	420 (1.87)	250	(113.4)
B3148-4	4"	(100)	4 1/4"	(107.9)	1/2"-13	10 9/16"	(268.3)	9/16"	(14.3)	610 (2.71)	370	(167.8)
B3148-6	6"	(150)	5 5/16"	(134.9)	1/2"-13	14 3/8"	(365.1)	9/16"	(14.3)	870 (3.87)	650	(294.8)
B3148-8	8"	(200)	6 5/16"	(160.3)	1/2"-13	16 7/16"	(417.5)	9/16"	(14.3)	870 (3.87)	787	(357.0)
B3148-10	10"	(250)	7 3/8"	(187.3)	3/4"-10	21 1/2"	(546.1)	1 3/16"	(20.6)	925 (4.11)	1238	(561.5)
B3148-12	12"	(300)	8 3/8"	(212.7)	3/4"-10	24 7/8"	(631.8)	1 3/16"	(20.6)	1225 (5.45)	2100	(952.5)

B3149 - Extended Pipe Clamp (TOLCO Fig. 8)

Size Range: 3/4" (20mm) thru 8" (200mm) pipe

Material: Steel

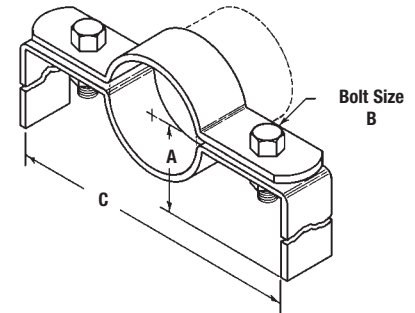
Function: For suspending or supporting piping runs where the pipe cannot be determined until installation. Field modify to suit conditions.

Maximum Temperature: 650°F (343°C)

Finish: Plain. Contact B-Line for alternative finishes and materials.

Note: Special "A" dimensions available on request, consult factory.

Order By: Part number, pipe size and finish



Part No.	Pipe Size		A		Bolt Size B	C		Approx. Wt./100	
	in.	(mm)	in.	(mm)		in.	(mm)	Lbs.	(kg)
B3149-3/4	3/4"	(20)	12"	(304.8)	3/8"-16"	47/16"	(112.7)	225	(102.0)
B3149-1	1"	(25)	12"	(304.8)	3/8"-16"	4 11/16"	(119.1)	230	(104.3)
B3149-1 1/4	1 1/4"	(32)	12"	(304.8)	3/8"-16"	5"	(127.0)	235	(106.6)
B3149-1 1/2	1 1/2"	(40)	12"	(304.8)	3/8"-16"	5 1/4"	(133.3)	240	(108.8)
B3149-2	2"	(50)	12"	(304.8)	1/2"-13"	6"	(152.4)	345	(156.5)
B3149-2 1/2	2 1/2"	(65)	12"	(304.8)	1/2"-13"	7 1/4"	(184.1)	360	(163.3)
B3149-3	3"	(75)	12"	(304.8)	1/2"-13"	7 7/8"	(200.0)	375	(170.1)
B3149-3 1/2	3 1/2"	(90)	12"	(304.8)	1/2"-13"	8 3/8"	(212.7)	390	(176.9)
B3149-4	4"	(100)	12"	(304.8)	1/2"-13"	9 1/4"	(234.9)	500	(226.8)
B3149-5	5"	(125)	12"	(304.8)	1/2"-13"	10 1/2"	(266.7)	545	(247.2)
B3149-6	6"	(150)	12"	(304.8)	5/8"-11"	12 1/2"	(317.5)	870	(394.6)
B3149-8	8"	(200)	12"	(304.8)	5/8"-11"	14 5/8"	(371.5)	980	(444.5)

All dimensions in charts and on drawings are in inches. Dimensions shown in parentheses are in millimeters unless otherwise specified.